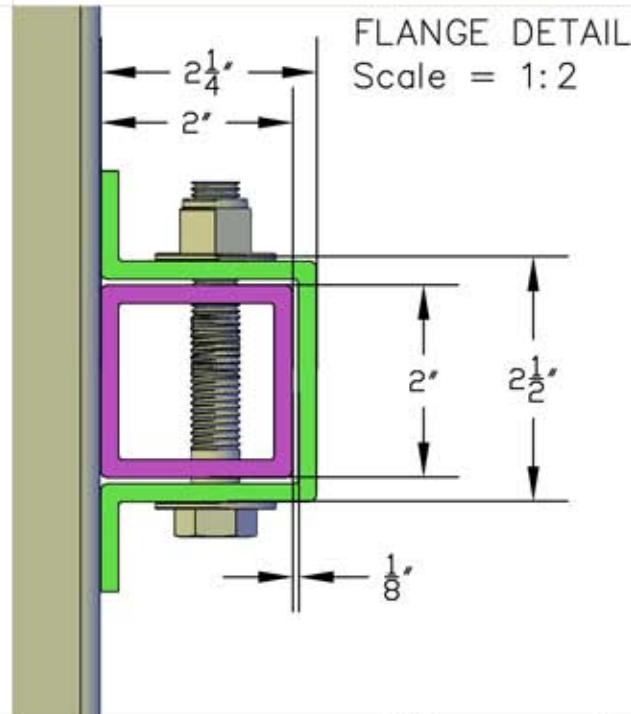
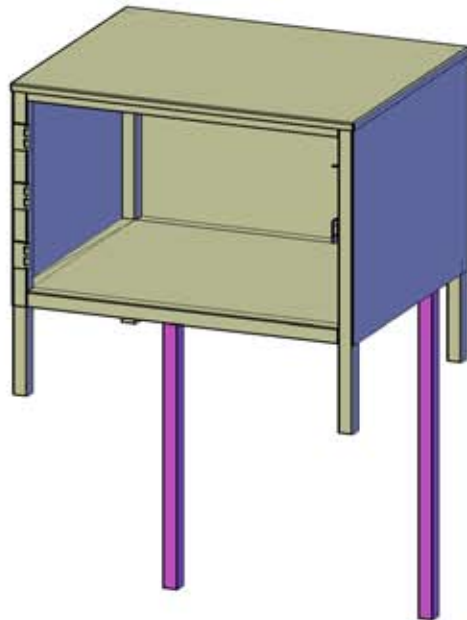


### Pole Mount Option:

Poles extend 3 feet into the ground and attach to the back of the unit. This allows customers to secure the storage locker to the ground so that they can't be tipped over by bears or other animals.

Two door lockers can use one or two pole option attached to the back of the unit for stability. (2 pole option shown left)

Single door storage locker will have a single pole option centered and attached to back unit.



### ADDITIONAL PARTS FOR 2 POLE MOUNTING

- (2) 2x2x3/16 SQUARE TUBE 76"
- (4) 2.25x2.50 FLANGES
- (4) HEX BOLT .50-13 x 3.75
- (4) NYLOCK NUT .50-13
- (8) WASHER .50 x 1.25

ALLOWS FOR 36" MOUNT DEPTH



## Pole Mount Option